

SACCO'

Engineering & construction
plants for industry
and ecology

**Mobile equipments
Emergency units**

Parma - Italy



**Containerized
Skid mounted
units**

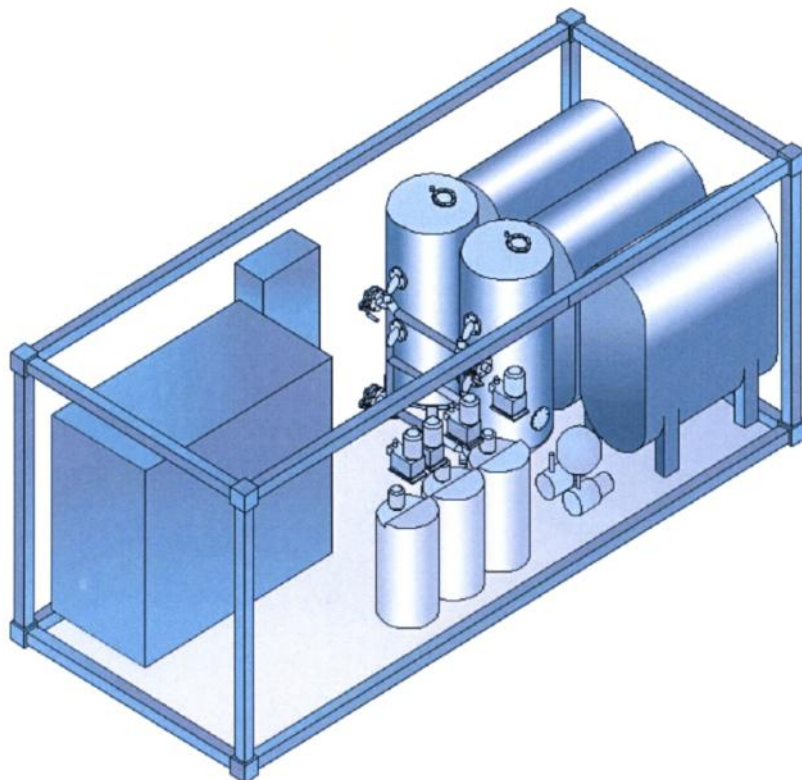
- FOR HEAVY DUTY
- SIMPLE
- READY TO USE
- EASY TO MOVE

For

- EMERGENCY SERVICE
- LITTLE TOWNS
- HOSPITALS
- ARMY CAMPS
- BUILDING YARDS
- OIL DRILLING YARDS
- OFF-SHORES JACKS-UP
- MINES

Drinking water directly from:

- RIVERS
- LAKES
- RAIN WATER TANKS
- PONDS
- BRACKISH LAGOONS



HELPING YOUR CHOICE:

RAW WATER SOURCE	TREATMENT	TYPE
CLOUDY River, Lake, Pond	FLOCCULATION FILTRATION DISINFECTION	S/CTR-C S/SKD-C
CLEAR River, Lake, Rain water	FILTRATION DISINFECTION	S/CTR-F S/SKD-C
CLEAR with microbic pollution Aqueduct, Well, Spring, Lake	DISINFECTION REVERSE OSMOSIS	S/CTR-D S/SKD-D S/CTR-O
CLEAR BRACKISH Well, Lagoon	FILTRATION DISINFECTION REVERSE OSMOSIS	S/CTR-O S/SKD-O
WITH CHEMICAL POLLUTION	TO BE DESIGNED	ON REQUEST



SACCO'

Engineering & construction
plants for industry
and ecology

www.saccoengineering.com